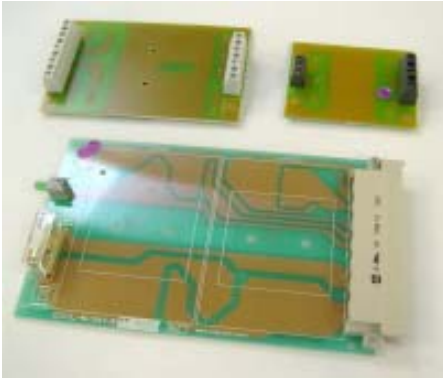




# 1 & 5 Watt Encapsulated AC-DC Mounting Panels



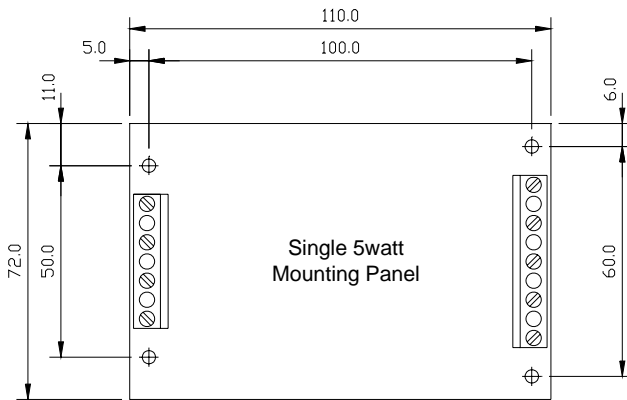
## PRODUCT DESCRIPTION

A comprehensive range of PCB mounting panels for the 1 watt and 5 watt encapsulated AC-DC power supplies.

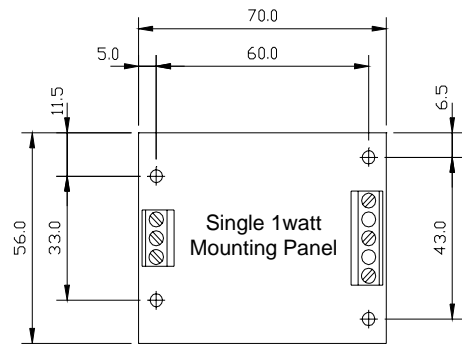
The single 1 watt and 5 watt mounting panels are available with screw terminal connectors.

The dual fit rack mountable panel will accommodate both 1 watt and 5 watt power supplies and is supplied with a H15 connector, LED indicator and replaceable fuse.

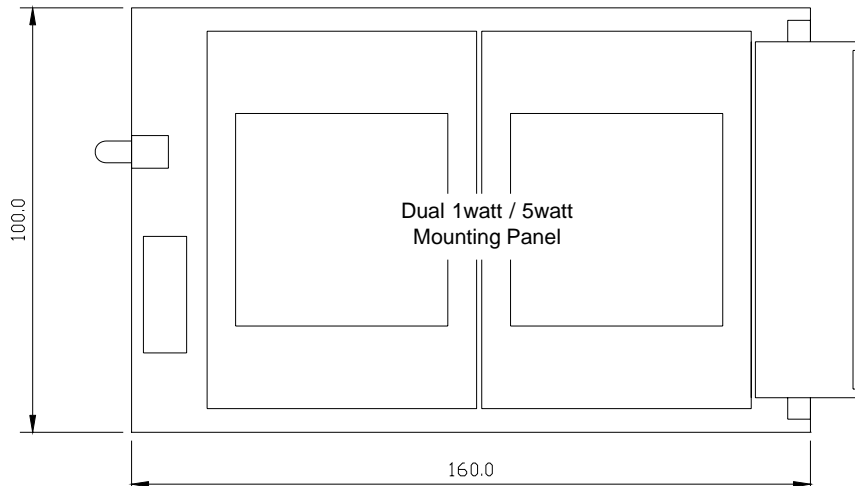
All Mounting panels are RoHS compliant.



Mounting holes 3.5mm dia.  
Vxl Part Number: 14242-000



Mounting holes 3.5mm dia.  
Vxl Part Number: 14045-000



### H15 PIN CONNECTIONS

- 4 - O/P 2+
- 6 - O/P 2-
- 8 - O/P 2 0V
- 10 -
- 12 - O/P 1+
- 14 - O/P 1-
- 16 - O/P 1 0V
- 18 -
- 20 -
- 22 - LIVE
- 24 - LIVE
- 26 -
- 28 - NEUTRAL
- 30 - NEUTRAL
- 32 -

Vxl Part Number: 14211-000

Vxl Power Limited, Westminster Trading Estate,  
Station Road, North Hykeham, Lincoln, LN6-3QY, England.

T: +44 (0)1522 500511 F: +44 (0)1522 500515

[www.vxipower.com](http://www.vxipower.com)